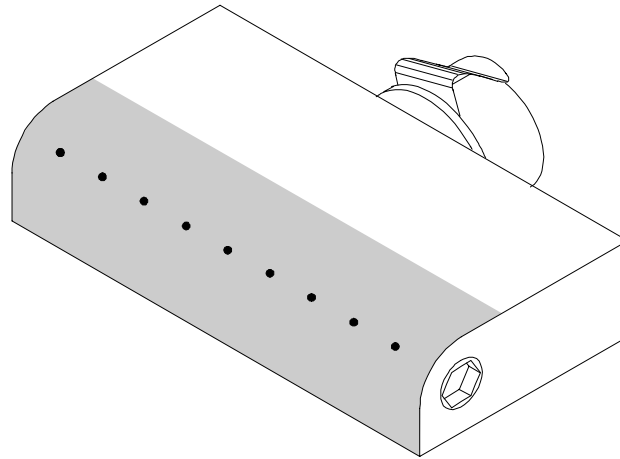


30 & 32 SERIES Striping Heads



FEATURES

Durable – All aluminum construction with stainless steel fittings. Molybdenum hard coatings on the bearing surface for wear resistance.

Sizes – Twenty-five sizes to choose from. Single orifice to six-inch pattern width.

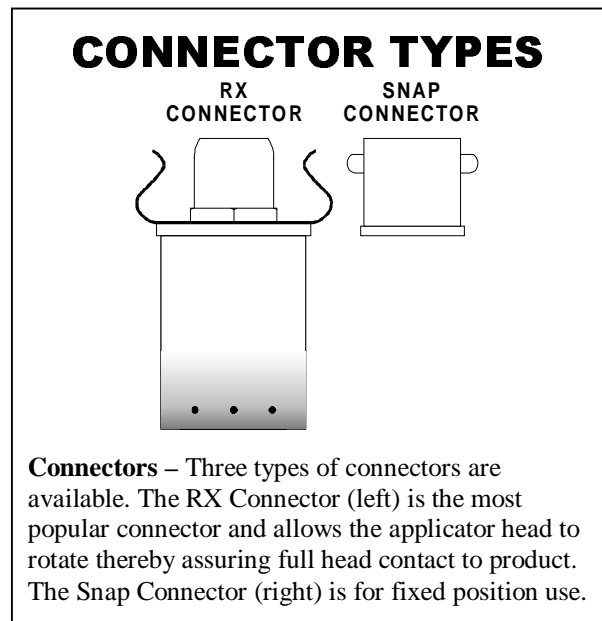
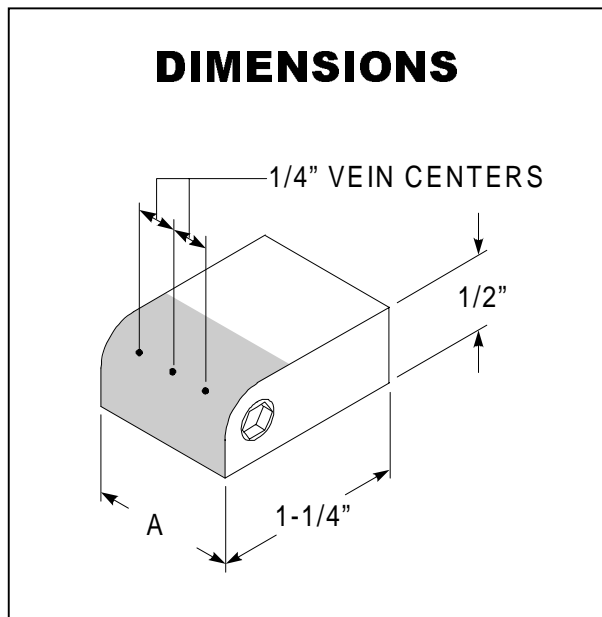
Connectors – Two valve-to-head connectors available; Rotary (RX) Connector, and Snap Connector.

Vein – Standard vein size is 0.040” diameter and standard spacing between veins is ¼”.

Optional Features – Although most applications are for horizontal applicator heads, as shown here, vertical applicator heads are also available.

Other Configurations – Vertical heads, positive closure, left or right side mounted, and other special features are available.

30 & 32 SERIES Striping Heads



HOW TO ORDER

PATTERN WIDTH	HORIZONTAL HEADS		VERTICAL HEADS		"A" DIMENSION
	RX ROTARY CONNECTION	SNAP CONNECTION	RX ROTARY CONNECTION	SNAP CONNECTION	
Single Vein	30-00-11	30-00-12			1 ¹¹ / ₁₆ "
1/4"	30-02-11	30-02-12	32-02-11	32-02-12	1 ¹¹ / ₁₆ "
1/2"	30-04-11	30-04-12	32-04-11	32-04-12	1 ¹⁵ / ₁₆ "
3/4"	30-06-11	30-06-12	32-06-11	32-06-12	1 ³ / ₁₆ "
1"	30-08-11	30-08-12	32-08-11	32-08-12	1 ⁷ / ₁₆ "
1 1/4"	30-10-11	30-10-12	32-10-11	32-10-12	1 ¹¹ / ₁₆ "
1 1/2"	30-12-11	30-12-12	32-12-11	32-12-12	1 ¹⁵ / ₁₆ "
1 3/4"	30-14-11	30-14-12	32-14-11	32-14-12	2 ³ / ₁₆ "
2"	30-16-11	30-16-12	32-16-11	32-16-12	2 ⁷ / ₁₆ "
2 1/4"	30-18-11	30-18-12	32-18-11	32-18-12	2 ¹¹ / ₁₆ "
2 1/2"	30-20-11	30-20-12	32-20-11	32-20-12	2 ¹⁵ / ₁₆ "
2 3/4"	30-22-11	30-22-12	32-22-11	32-22-12	3 ³ / ₁₆ "
3"	30-24-11	30-24-12	32-24-11	32-24-12	3 ⁷ / ₁₆ "
3 1/4"	30-26-11	30-26-12	32-26-11	32-26-12	3 ¹¹ / ₁₆ "
3 1/2"	30-28-11	30-28-12	32-28-11	32-28-12	3 ¹⁵ / ₁₆ "
3 3/4"	30-30-11	30-30-12	32-30-11	32-30-12	4 ³ / ₁₆ "
4"	30-32-11	30-32-12	32-32-11	32-32-12	4 ⁷ / ₁₆ "
4 1/4"	30-34-11	30-34-12	32-34-11	32-34-12	4 ¹¹ / ₁₆ "
4 1/2"	30-36-11	30-36-12	32-36-11	32-36-12	4 ¹⁵ / ₁₆ "
4 3/4"	30-38-11	30-38-12	32-38-11	32-38-12	5 ³ / ₁₆ "
5"	30-40-11	30-40-12	32-40-11	32-40-12	5 ⁷ / ₁₆ "
5 1/4"	30-42-11	30-42-12	32-42-11	32-42-12	5 ¹¹ / ₁₆ "
5 1/2"	30-44-11	30-44-12	32-44-11	32-44-12	5 ¹⁵ / ₁₆ "
5 3/4"	30-46-11	30-46-12	32-46-11	32-46-12	6 ³ / ₁₆ "
6"	30-48-11	30-48-12	32-48-11	32-48-12	6 ⁷ / ₁₆ "

Side mounted Snap Connector, vein spacing, vein hole size, slot, groves, stainless steel, carbide coating and other modifications are available. Please consult factory.