

47 Series

Adhesive Valve

Reliable and consistent.

vanSCO's 47 Series Adhesive Valves are available in manual over ride primer or snap connector options. These valves operate in a number of positions for increased versatility. Push fittings are conveniently located at all air and fluid inlets. VanSCO® valves ideally offer the gluing industry a range of options for an effortless retrofit into existing system setups.

vanSCO's 47 Series Adhesive Valves feature:

Reliability

Over thirty years of industry proven performance.

Unique Design

A unique diaphragm seal between fluid and air sections means no packing or sliding seals that typically wear out, adjust, or jam.

Sniff-Back, Clean Cut-Off

Unique valve design "sniffs" glue back into the valve head to produce a sharp pattern cut-off.

Durability

Valve plunger is made of long-lasting stainless-steel for maximum durability.

Use With All VanSCO® Heads

Can be used with the wide range of VanSCO® applicator heads.

Double Action

"Air on - air off" actuator ensures positive operation, capable of high cycle rates.

Brass and Stainless-Steel Bodies

Available in brass for general use and stainless-steel for applying adhesives that would otherwise cause adverse brass effects.



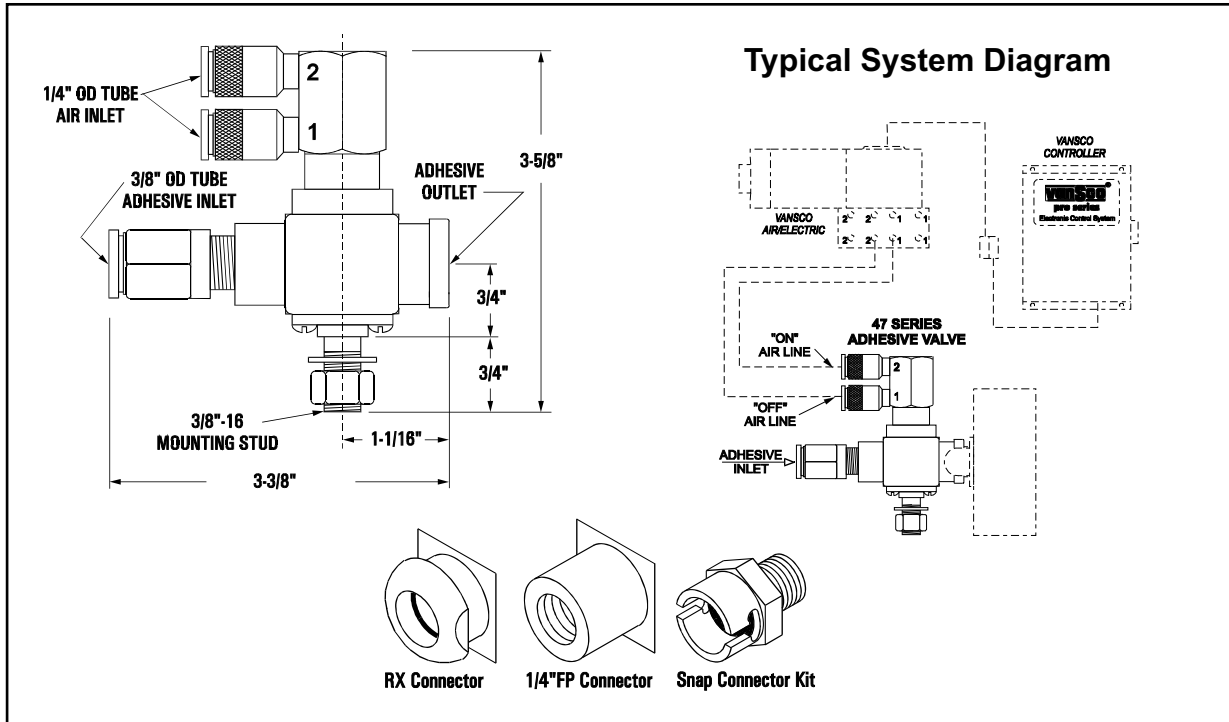
How to order:

Part Number


Part Number	Description
47-01-05	Adhesive valve RX, SV, BR
47-01-06	Adhesive valve 1/4" FP, SV, BR
47-02-05	Adhesive valve RX, HV, BR
47-02-06	Adhesive valve 1/4" FP, HV, BR
47-03-05	Adhesive valve RX, with primer, SV, BR
47-03-06	Adhesive valve 1/4" FP, with primer, SV, BR
47-01-15	Adhesive valve RX, SV, SS
47-01-16	Adhesive valve 1/4" FP, SV, SS
90-02-96	Snap connector kit for 1/4" FP body

SV = standard volume, HV = high volume, BR = brass
SS = stainless-steel, RX = swivel connector

47 Series



Technical Characteristics

47 Series Specifications		
Operating air pressure:	50-125 psi filtered, regulated, and lubricated compressed air	
Actuation air consumption:	0.9 cubic inches per actuation at 80 psi operating pressure	
Maximum cycle rate:	20 actuations per second at 80 psi operating pressure	
Fluid pressure:	1-30 psi	
Fluid viscosity range:	1-20,000 centipoise	
Construction:	All wetted parts in brass valve assemblies consist of brass, stainless-steel, UHMW polyethylene, and Teflon. Stainless-steel model replaces brass in adhesive section.	

For more information visit www.vansco.com or contact us direct.



VanSco Products
2652 Lashbrook Avenue, South El Monte, CA 91733
Tel: 626.448.7611 / Fax: 626.448.0221
sales@vansco.com
www.vansco.com

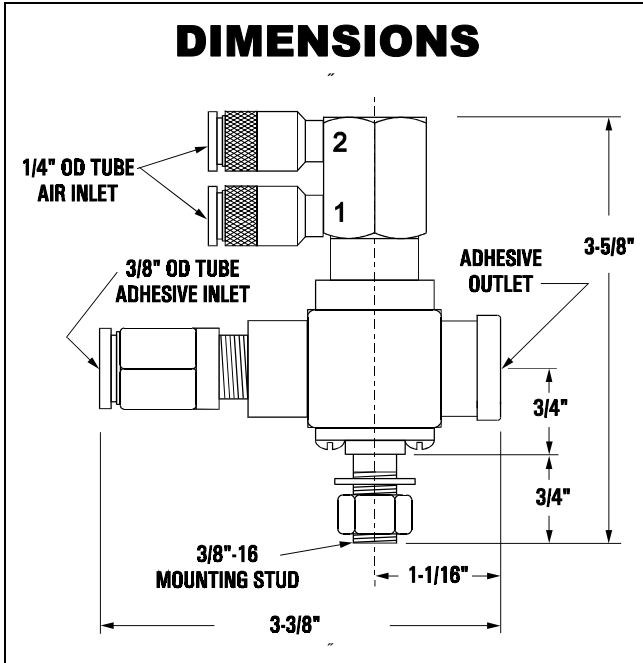


47 SERIES

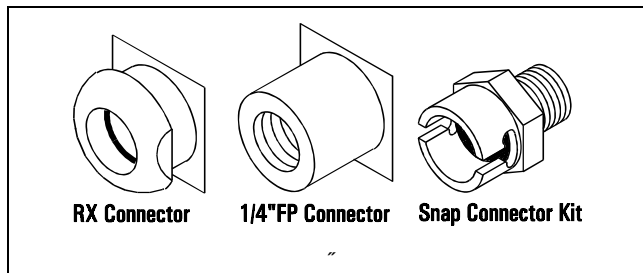
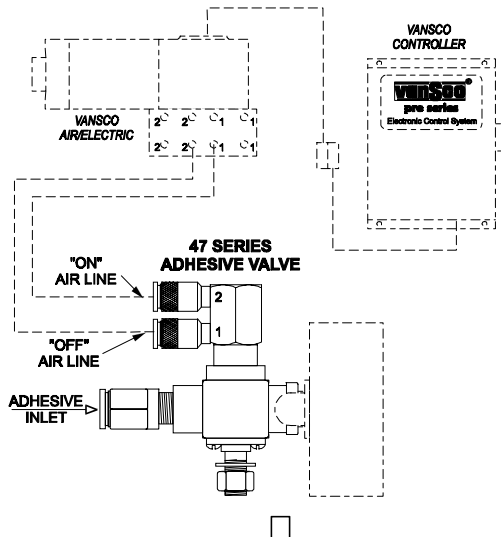
Adhesive Valve

TECHNICAL DATA

DIMENSIONS



TYPICAL SYSTEM DIAGRAM



Distributed By:

OPERATING AIR PRESSURE:

50-125 psi filtered, regulated and lubricated compressed air.

ACTUATION AIR CONSUMPTION:

0.9 in³ /actuation at 80 psi operating pressure.

MAXIMUM CYCLE RATE:

20 actuations/second at 80 psi operating pressure

FLUID PRESSURE:

1-30 psi

FLUID VISCOSITY RANGE:

1-20,000 centipoise

CONSTRUCTION:

All wetted parts in brass valve assemblies consist of brass, stainless steel, UHMW polyethylene, and teflon. Stainless steel model replaces brass in adhesive section.

HOW TO ORDER

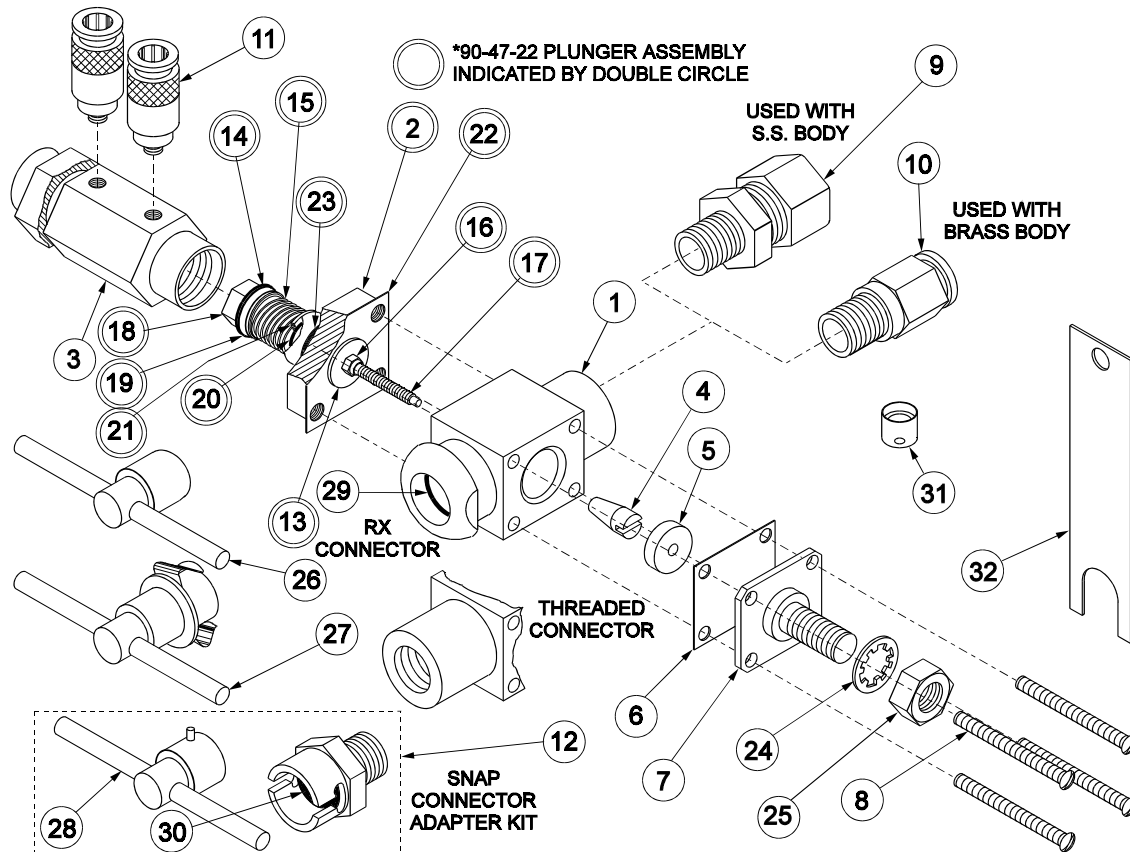
S/V = STANDARD VOLUME H/V = HIGH VOLUME
 BR = BRASS S.S. = STAINLESS STEEL
 RX = SWIVEL CONNECTOR

PART NO. DESCRIPTION

- 47-01-05 Adhesive Valve RX, S/V BR
- 47-01-06 Adhesive Valve 1/4"FP, S/V BR
- 47-02-05 Adhesive Valve RX, H/V BR
- 47-02-06 Adhesive Valve 1/4"FP, H/V BR
- 47-03-05 Adhesive Valve RX, w/Primer, S/V BR
- 47-03-06 Adhesive Valve 1/4"FP, w/Primer, S/V BR
- 47-01-15 Adhesive Valve RX, S/V S.S.
- 47-01-16 Adhesive Valve 1/4"FP, S/V S.S.
- 90-02-96 Snap Connector Kit for 1/4"FP Body

47 SERIES ADHESIVE VALVE

COMPONENT PARTS



ITEM	PART NO	QTY	DESCRIPTION
1	90-47-55	1	Valve Body, RX, BR, S/V
	90-47-65	1	Valve Body, RX, S.S., S/V
	90-47-75	1	Valve Body, RX, BR, H/V
	90-47-54	1	Valve Body, 1/4"FP, BR, S/V
	90-47-64	1	Valve Body, 1/4"FP, S.S., S/V
	90-47-74	1	Valve Body, 1/4"FP, BR, H/V
2	90-47-39	1	Lower Plunger Housing
3	90-47-29	1	Upper Plunger Housing
	90-47-17	1	Upper Plunger Housing with Primer
4	90-47-37	1	Plunger Tip, S.S., S/V
	90-47-48	1	Plunger Tip, S.S., H/V
5	90-47-43	1	Stroke Limiting Plug, BR
	90-47-49	1	Stroke Limiting Plug, S.S.
6	90-47-27	1	Base Plate Gasket
7	90-79-50	1	Base Mounting Plate (Includes 24 & 25)
8	90-05-49	4	6-32 x 1/4" Mach. RH Screw, BR
9	90-01-41	1	3/8" OD Tube x 1/4MP Connector, NY
10	90-07-26	1	3/8" OD Tube x 1/4MP Push Fitting
11	90-07-37	2	10-32 x 1/4" OD Tube Push Fitting
12	90-02-96	1	Snap Connector w/90-02-26 Gasket
13	90-47-76	2	Diaphragm Plate, S.S.
14	90-02-33	1	O-Ring
15	90-47-18	1	Spring
16	90-02-43	1	4-40 Self Locking Nut
17	90-47-38	1	Valve Plunger, S.S.

ITEM	PART NO	QTY	DESCRIPTION
18	90-02-57	1	10-32 Self Locking Nut
19	90-47-12	1	Plunger Piston
20	90-02-36	2	O-Ring
21	90-02-37	1	O-Ring Retainer
22	90-47-28	1	Diaphragm
23	90-02-31	1	O-Ring
24	90-06-09	1	Lock Washer
25	90-05-83	1	3/8-16 Hex Nut
26	90-02-50	1	RX Male Plug
27	90-02-53	1	RX Male Plug w/Spring Clip
28	90-02-51	1	Snap Connector Male Plug
29	90-02-27	1	O-Ring, RX Connector
30	90-02-26	1	Snap Connector Gasket
31	90-47-45	1	Valve Seat S/V, Brass
	90-47-46	1	Valve Seat Pin S/V, S.S.
	90-47-26	1	Valve Seat Pin H/V, Brass
32	90-02-60	1	RX Connector Lever

SERVICE KITS

Low Volume (L/V) Standard Volume (S/V) High Volume (H/V)

PART NO.	DESCRIPTION	INCLUDES ITEMS
90-04-96	Minor Kit	6, 14, 20, 22, 23
91-04-17	Major Kit, S/V	4, 6, 20, 31 & Plunger Assy *90-47-22
*90-47-22 includes 2, 13, 14, 15, 16, 17, 18, 19, 20, 21, 22, 23		

DCJ998