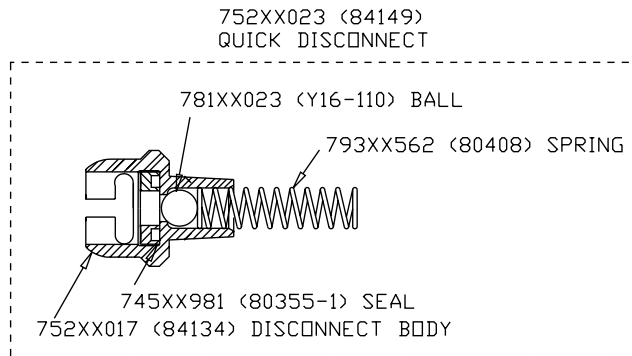
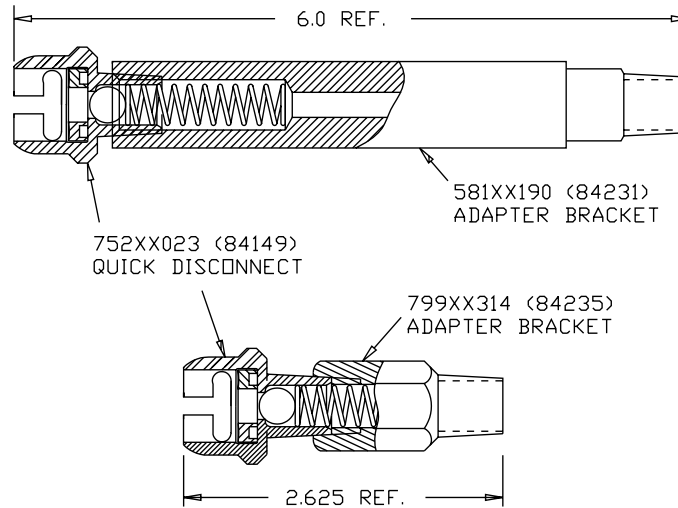


QUICK DISCONNECT FITTINGS



OVS p/n	ARO p/n	
752xx010	407260	QUICK DISCONNECT EXTENSION FITTING (FEMALE) - Simplifies mounting of PLOW GUNS. The fitting has a built-in check valve to retain glue in the hose when the gun is disconnected. The threaded end is 1/4NPT(M). Overall length 6-in. (152mm).

OVS p/n	ARO p/n	
752xx011	407261	QUICK DISCONNECT EXTENSION FITTING(FEMALE) - Where a BRACKET ADAPTER is not needed for mounting purposes this fitting should be used. A check valve keeps the glue in the hose when the gun is removed. The threaded end is 1/4NPT(M). Overall length - 2 7/8-in. (75mm).

QUICK CHANGE FITTINGS

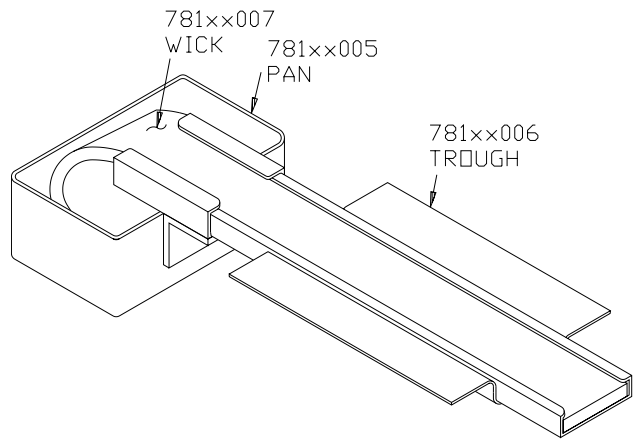
OVS p/n	ARO p/n	
752xx015	84140	QUICK DISCONNECT FITTING (MALE)- Provides fast, easy connect and disconnect for valves. Double pins lock into T-slot of QUICK DISCONNECT FITTING. Used on inlet of PLOW GUNS and VALVES. Must be used with a 407260 or 407261 QUICK DISCONNECT FITTING. 1/4 NPT(M) threaded inlet.
752xx016	84145	PROTECTO PLUG- Insert the PROTECTO PLUG in female QUICK CHANGE FITTINGS when the tip is removed to keep glue from congealing in the dispensing valve. Immediate glue flow is insured when the PROTECTO PLUG is removed.
752xx013	84136	QUICK CHANGE FITTING (FEMALE)— 3/4-27(M) thread. Used with 407102 FULCRUM LEVER VALVE.
752xx014	84138	QUICK CHANGE FITTING (FEMALE)- Has 3/8-24(M) thread. Used with MANUAL AND AUTOMATIC DISPENSING VALVES. T-slot provides left hand or right hand locking action.
752xx012	84135-1	QUICK CHANGE ADAPTER (MALE)- Used to convert 84011 threaded HEX UNION to quick change.

ACCESSORIES

OVS p/n	ARO p/n	
799xx313	84011	HEX UNION-Used as inlet fitting on beading tips and roller tips. 3/8-24(M) thread both ends. use 80380 GASKET both ends. Replaces 84002-3 THREADED INSERT.
799xx312	84002-3	THREADED INSERT- 3/8-24 (M) x 3/8-24 (M) thread x 5/8-in. long. 84240 THREADED ADAPTER- 1/4 NPT(M) x 1/4 NPT(M) thread.
799xx315	84245	THREADED ADAPTER- Has 3/8-24(M) x 1/4-28 (F)thread. Adapts tips with 1/4-28(M) thread to valves having 3/8-24(F) thread.
745xx982	80380	GASKET- Nylon. Used on all 3/8-24 (M) threaded glue inlets.
745xx983	80380-1	GASKET- Nylon. Used on all 1/4-28(M) threaded glue inlets.
745xx981	80355-1	GASKET- POLYETHYLENE. Fits in female QUICK CHANGE and QUICK DISCONNECT FITTINGS.
	80335	GASKET- Thiokol. Fits in female QUICK CHANGE and QUICK DISCONNECT FITTINGS.

SWIVELS

OVS p/n	ARO p/n	
792xx172	84252	SWIVEL- Stainless steel swivel with-in.O-in. ring seal compatible with all types adhesives. Provides flexibility and eliminates hose twisting. 1/4NPT(M) both ends. Use with MANUAL VALVES and PLUNGER VALVE HOLDERS.
792xx173	84257	SWIVEL- Stainless steel swivel is compatible with all types of adhesives. Provides flexibility and eliminates hose twisting. 3/8-24(M) both ends. Use with BEADING TIPS and RIBBON TIPS.



OVS p/n	ARO p/n	
669xx096	407432	TIP MOISTENER- For AUTOMATIC and MANUAL VALVES. Tip rests on moisture pad between applications preventing glue set up. Top or bottom installation.

MANIFOLD

OVS p/n	ARO p/n	
754xx371	84203	FLUID MANIFOLD- Provides a convenient means to distribute several fluid lines to the dispensing point.