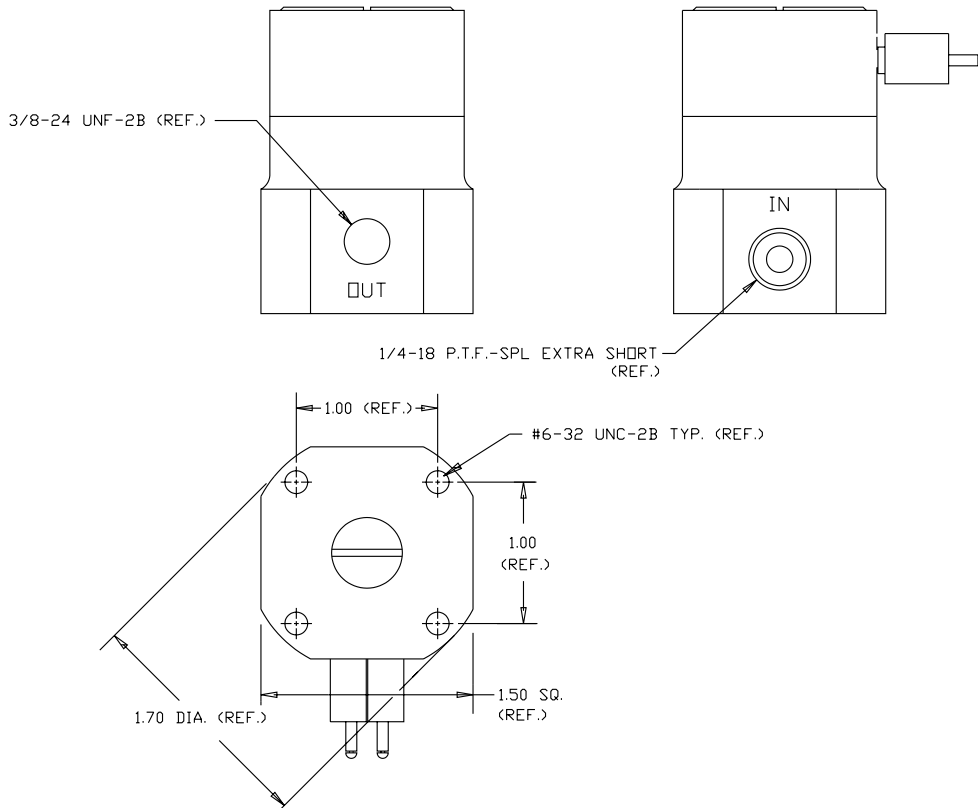


ELECTRIC DISPENSING VALVE



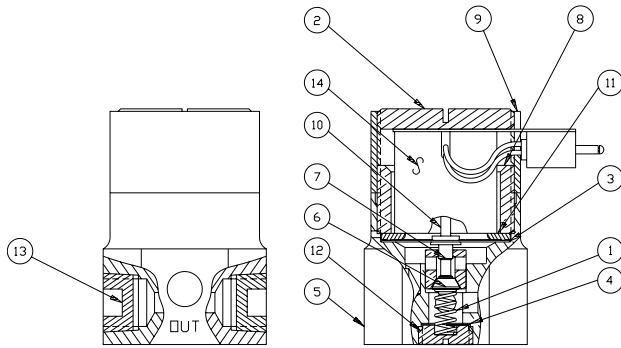
These valves are designed for use with adhesives and other light-bodied fluids. High-quality materials and construction assure millions of trouble-free working cycles. Valve bodies are 6061-T6 aluminum alloy. Internal working parts are stainless steel Teflon seals and diaphragm and Hytrel poppet.

- **Maximum working pressure is 100 P.S.I. (6.9 bar)**
- **All valves feature 1/4 NPT-M fluid inlet and may be used with any valve actuated tip.**
- **Coil Voltage 12VDC**
- **Maximum Cycle Rate/Min: 2000**

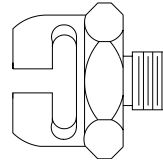
ELECTRIC DISPENSING VALVE-STANDARD

OVS p/n	ARO p/n	
701xx051	407427-11	Electric dispensing valve 3/8-24 UNF outlet
701xx052	407427-12	Electric dispensing valve quick change outlet

ELECTRIC DISPENSING VALVE - continued



- 701xx057 repair kit includes items 1,3,4,6,7,and 12
- Valve assembly includes 799xx324 cable



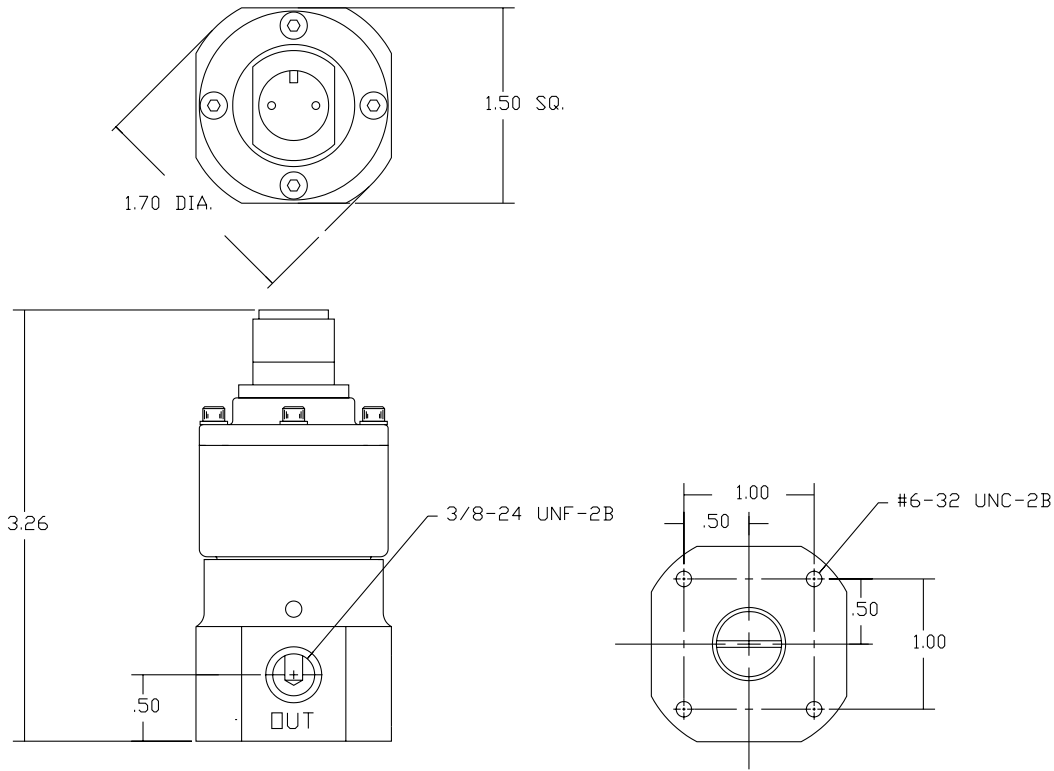
COMPONENTS

Item	Part number	Description
1	793xx561	Spring
2	704xx235	Cover
3	704xx188	Diaphragm
4	745xx985	Gasket
5	704xx194	Valve body
6	704xx195	Poppet
7	704xx197	Rod
8	799xx311	Adapter
9	704xx247	Barrel
10	704xx198	Push rod
11	704xx242	Ring
12	784xx029	Screw
13	704xx240	Plug
14	411xx677	Coil

VALVE FITTINGS

OVS p/n	ARO p/n	
752xx014	84138	Quick-change fitting
792xx175	84240	Hex nipple

ELECTRIC DISPENSING VALVE - continued



ELECTRIC DISPENSING VALVE - WATERPROOF

Same as previous but with waterproof housing.

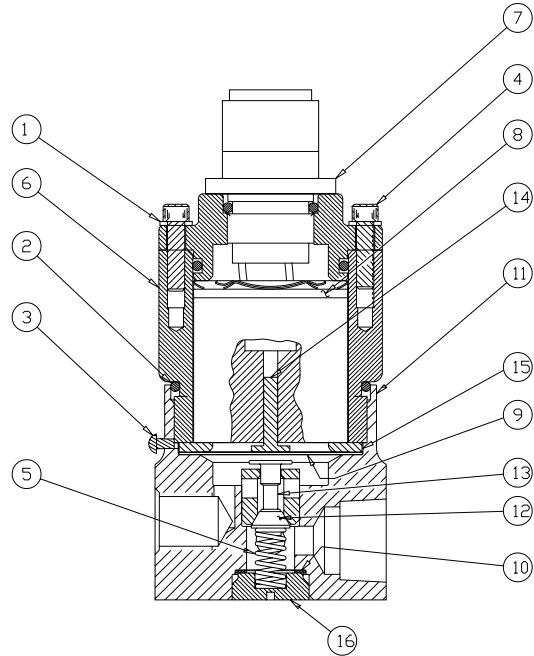
- Maximum working pressure is 100 P.S.I. (6.9 bar)
- All valves feature 1/4 NPT-M fluid inlet and may be used with any valve actuated tip.
- Coil Voltage 24VDC
- Maximum Cycle Rate/Min: 1200
- Valve bodies are 6061-T6 aluminum alloy.
- Internal working parts are stainless steel Teflon seals and diaphragm and Hytrel poppet.

OVS p/n	ARO p/n	
701xx053	407426-11	Electric dispensing valve 3/8-24 UNF outlet
701xx054	407426-12	Electric dispensing valve quick-change outlet

ELECTRIC DISPENSING VALVE - continued

COMPONENTS

Item	Part number	Description
1	784xx040	Lock washer
2	745xx510	O-ring
3	784xx039	Screw
4	784xx038	Screw
5	793xx561	Spring
6	704xx244	Barrel
7	411xx678	Solenoid assembly
8	704xx241	Spacer
9	704xx188	Diaphragm
10	745xx985	Gasket
11	704xx194	Valve body
12	704xx195	Poppet
13	704xx197	Poppet rod
14	704xx198	Push rod
15	704xx242	Pressure ring
16	784xx029	Cap



- **701xx057 repair kit includes items 5,9,10,12,13, and 16**
- **Valve assembly includes 799xx325 cable**

Solenoid assembly (14) includes:

745xx511	O-ring
745xx512	O-ring
799xx306	Electrical connector
411xx681	Coil
704xx234	Cover
793xx595	Washer