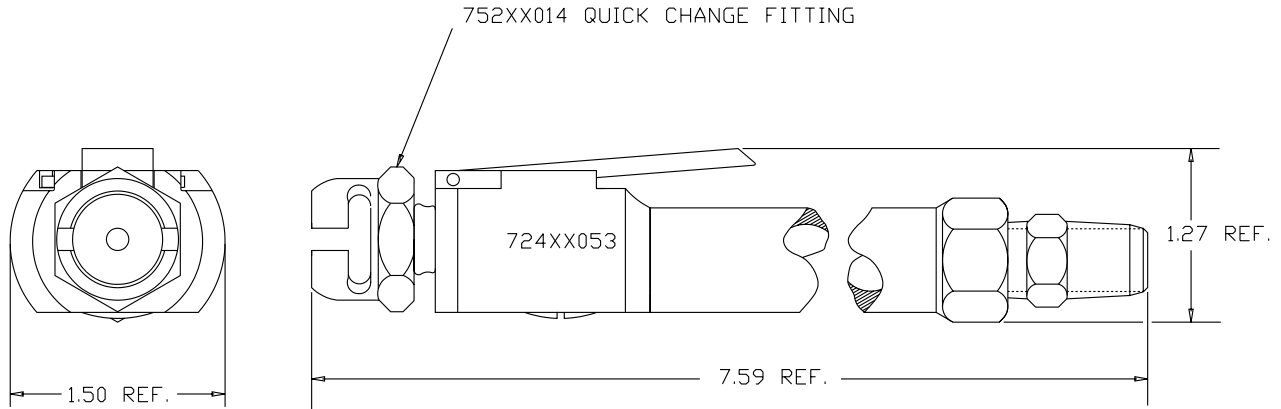


MANUAL DISPENSING VALVES



Designed to give the operator complete control of adhesive flow. Valve body is high-strength aluminum with stainless steel actuating lever and valve components. May be used with any valve actuated tip.

- **Maximum working pressure: 100 P.S.I. (6.9 bar)**

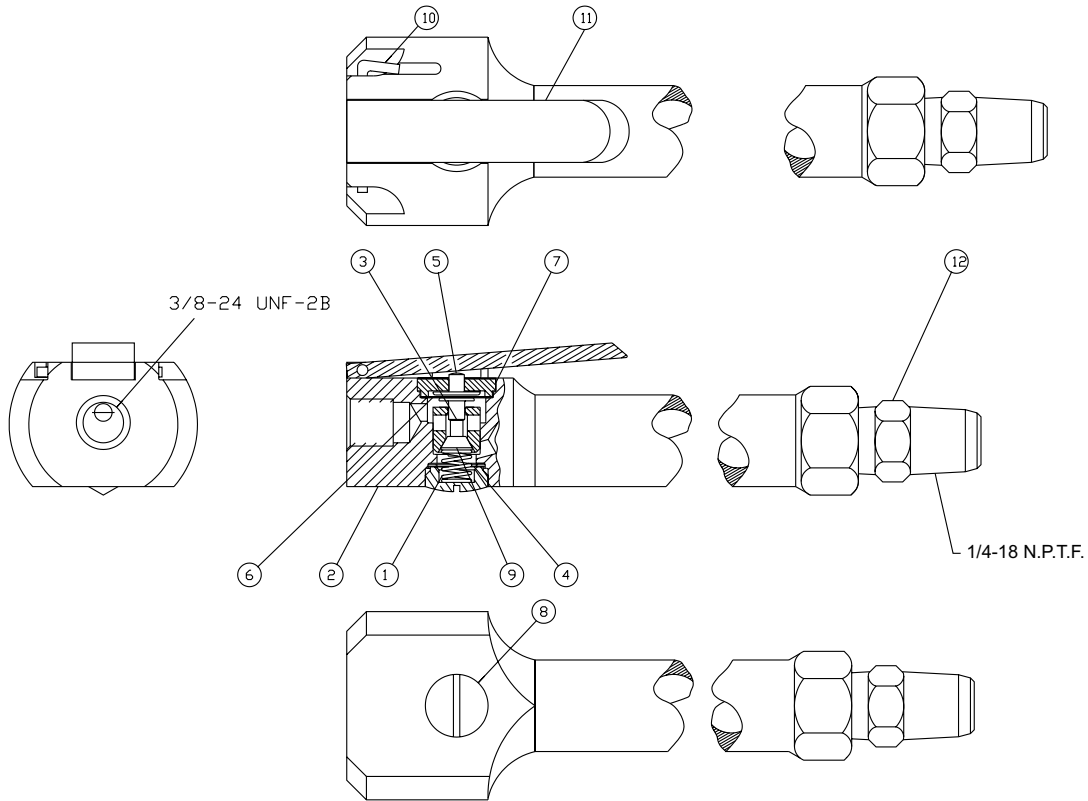
OVS p/n	ARO p/n	Description
724xx052	407440	MANUAL VALVE-For use with dispensing tips without built-in valves.
724xx053	407440-5	MANUAL VALVE-Same valve as the 407440 above except that it includes a Quick Change fitting on the material outlet.

SERVICE KITS - see illustration next page

OVS p/n	ARO p/n	Description
724xx054	80674	REPAIR KIT-All parts required to repair MANUAL VALVE
704xx166	99181	TEFLON POPPET-Optional poppet for applications where material would not be compatible with standard HYTREL poppet.

MANUAL DISPENSING VALVES - continued

COMPONENTS



Item	Part number	Description
1	793xx564	Spring
2	704xx253	Body
3	704xx182	Poppet rod
4	745xx985	Gasket
5	704xx191	Plunger
6	704xx192	Diaphragm
7	704xx249	Cap
8	704xx252	Cap
9	704xx195	Poppet
10	704xx254	Hinge pin
11	104xx142	Lever
12	792xx175	Adapter

- **Repair kit 724xx054 includes items 1, 3, 4, 5, 6, 7, 8, 9, and 10**