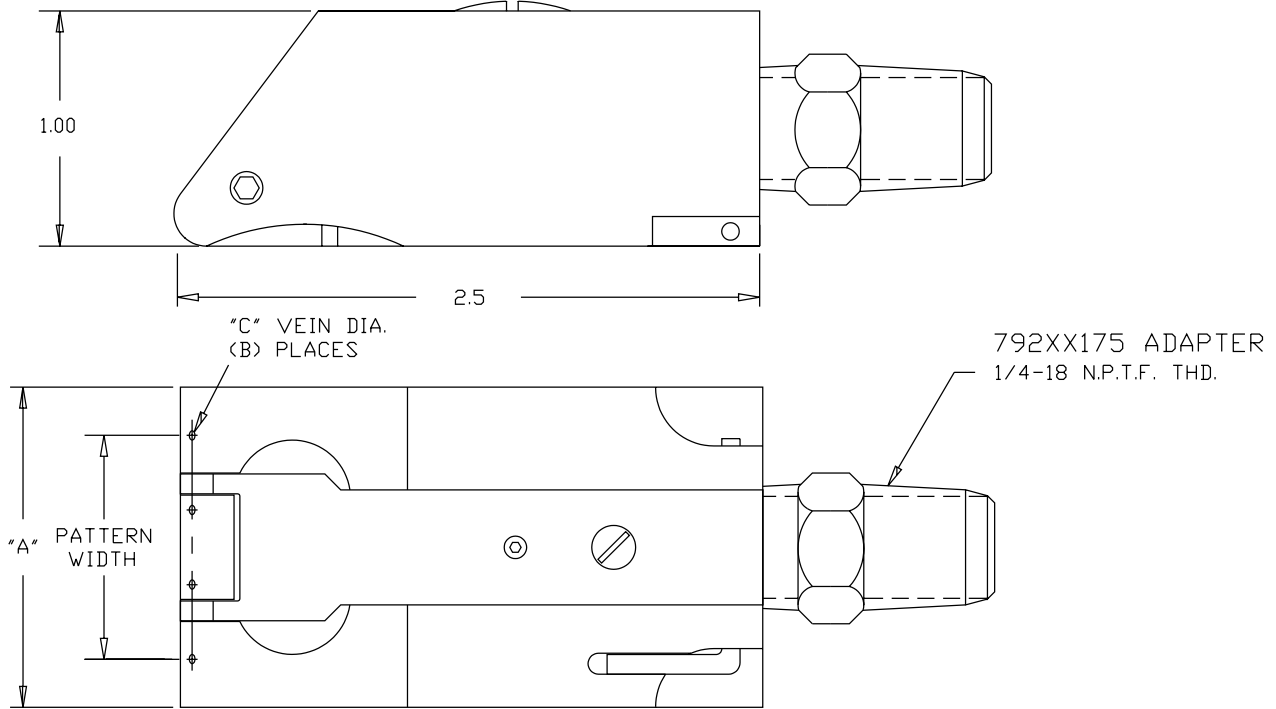


PLOW GUNS



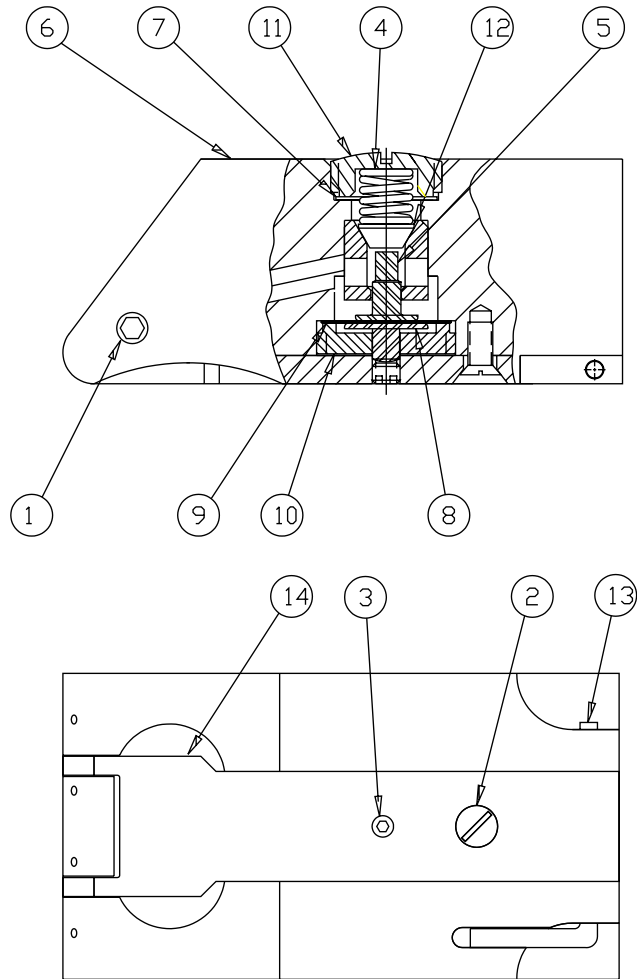
PART NO. 792XX175	W/ BODY ASSY.	PATTERN WIDTH	A	B	C
701XX131	701XX132	1.000	1.375	4	.040
701XX127	701XX129	.875	1.250	6	.052
701XX128	701XX130	1.000	1.375	6	.052

Designed and built for high-speed flat surface gluing. The PLOW GUN will lay a precision-controlled multiple-line pattern of adhesive that insures an instantaneous tack at any operating rate. The flow of glue through the PLOW GUN is automatically controlled by a spring-loaded, rapid, action valve, which is actuated by a plow arm located on the working face of the gun. As corrugated boxboard stock moves past the gun, the thickness of the stock depresses the plow arm and starts the adhesive flow. After the stock passes the gun, the pressure on the arm is released and the valve closes automatically.

PLOW GUNS are made of high-strength coated aluminum, with stainless steel and plastic working parts. Mounting angle - 25 to 30 degrees to work surface.

PLOW GUNS - continued

Item	Part number	Description
1	784xx035	Set screw
2	784xx031	Flat head screw
3	784xx036	Set screw
4	793xx564	Spring
5	704xx182	Poppet
6	704xx225	Body
7	745xx985	Gasket
8	704xx191	Plunger
9	704xx192	Diaphragm
10	704xx249	Cap
11	704xx252	Cap
12	704xx195	Poppet
13	704xx254	Pin
14A	704xx248	Plow tine for 701xx132 and 701xx131 assemblies
14B	704xx243	Plow tine for 701xx127 and 701xx129 assemblies
14C	704xx251	Plow tine for 701xx128 and 701xx130 assemblies



SERVICE KITS

OVS p/n	ARO p/n	Description
701xx133	80651	REPAIR KIT-For use on both SEAM GUNS and PLOW GUNS
704xx166	99181	TEFLON POPPET-Optional poppet for applications where material would not be compatible with standard HYTREL poppet.

PLOW GUN MOUNTING BRACKET

Use plow guns with:

OVS p/n	ARO p/n	Description
581xx190	84231	Bracket Adapter

- Service kit includes items 1–5 and 7–13