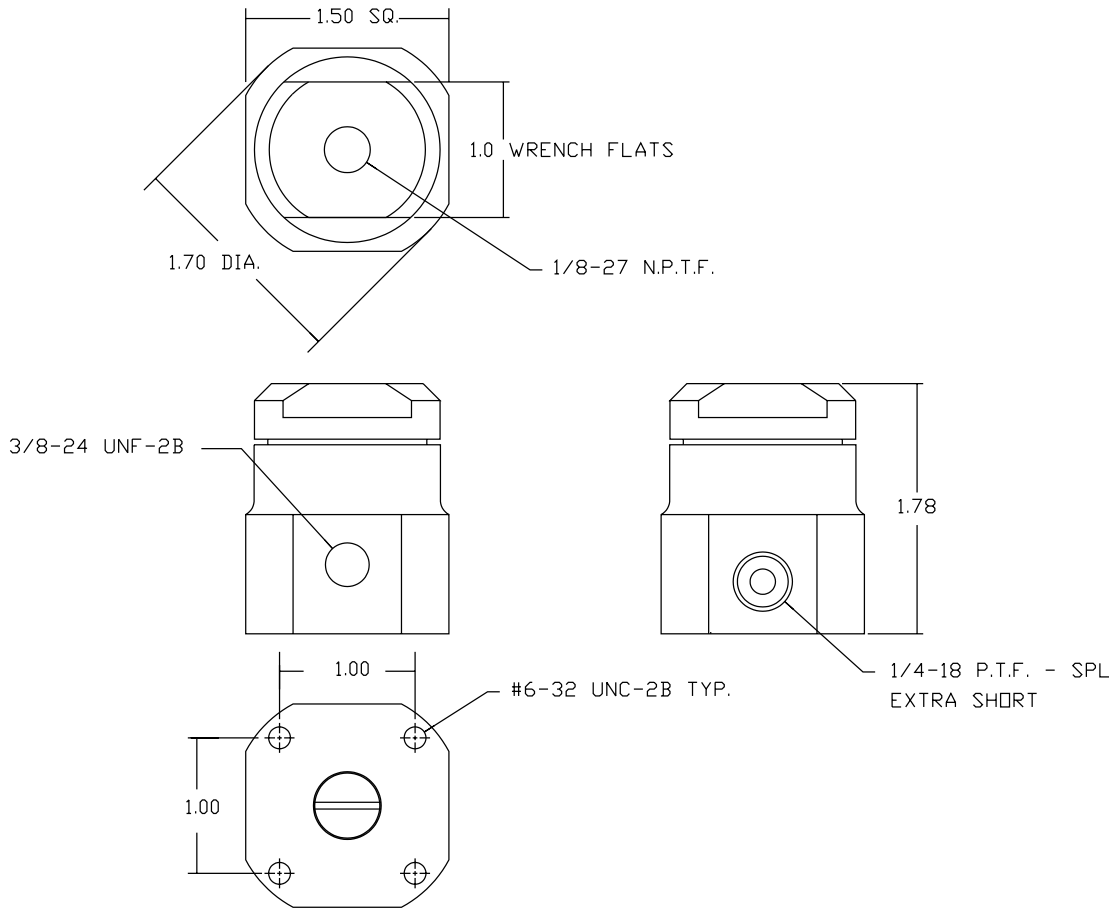


## PNEUMATIC DISPENSING VALVES



These valves are designed for use with adhesives and other light-bodied fluids. High-quality materials and construction assure millions of trouble-free working cycles. Valve bodies are 6061-T6 aluminum alloy. Internal working parts are stainless steel Teflon seals and diaphragm and Hytrel poppet.

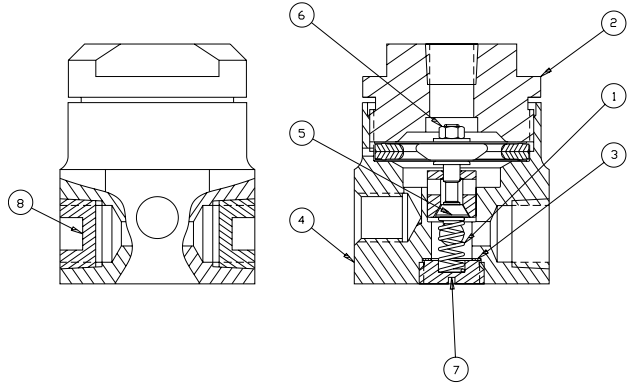
- **Maximum working pressure is 100 P.S.I. (6.9 bar)**
- **Pilot control air pressure range: 35 to 50 P.S.I. (2.4 to 3.4 bar), 1/8 NPT-F inlet**
- **All valves feature 1/4 NPT-M fluid inlet and may be used with any valve actuated tip.**

OVS p/n	ARO p/n	
704xx160	407400-11	Pneumatic dispensing valve 3/8-24 UNF outlet
704xx161	407400-12	Pneumatic dispensing valve quick-change outlet

**PNEUMATIC DISPENSING VALVES - continued**

**COMPONENTS**

Item	Part number	Description
1	793xx561	Spring
2	704xx250	Cover
3	745xx985	Gasket
4	704xx194	Valve body
5	704xx195	Poppet
6	704xx200	Diaphragm assembly
7	784xx029	Screw
8	704xx240	Plug

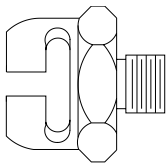


- **Repair kit 704xx165 includes items 1,3,5,6, AND 7**

**OPTIONAL**

OVS p/n	ARO p/n	Description
704xx166	99181	TEFLON POPPET-Optional poppet for applications where material would not be compatible with standard HYTREL poppet.

**VALVE FITTINGS**



OVS p/n	ARO p/n	Description
752xx014	84138	Quick-change fitting
792xx175	84240	Hex nipple