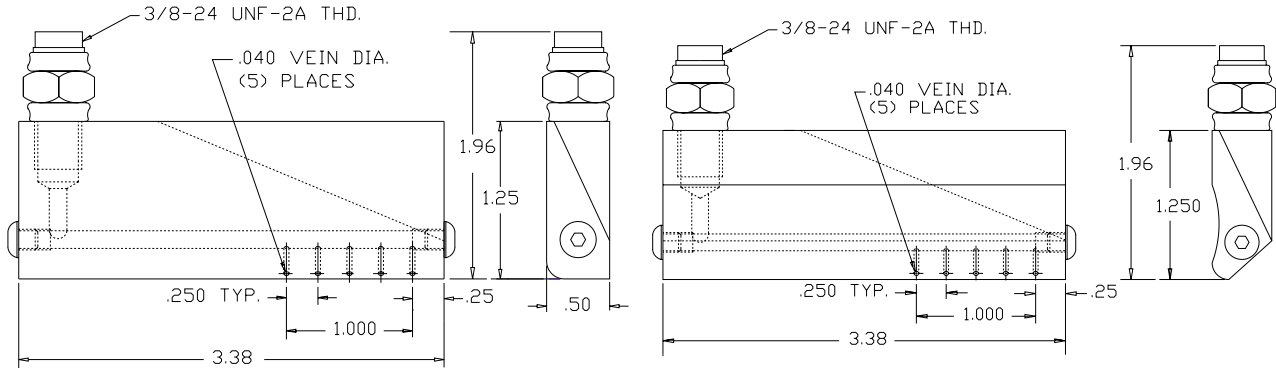


**FOLDER TAPER BEADING TIPS**



OVS p/n	ARO p/n	
599xx701	D1051-A1	BEADING TIP-For use with the Universal Folder-Taper. Fluid inlet is offset to the right rear and the tip body is shaped to provide the lowest possible profile. Use with AUTOMATIC VALVES.

599xx702	D1051-A2	BEADING TIP-For use with the General Folders-Taper. Fluid inlet is offset to the left rear and the tip body is shaped to provide the lowest possible profile. Use with AUTOMATIC VALVES.
----------	----------	--